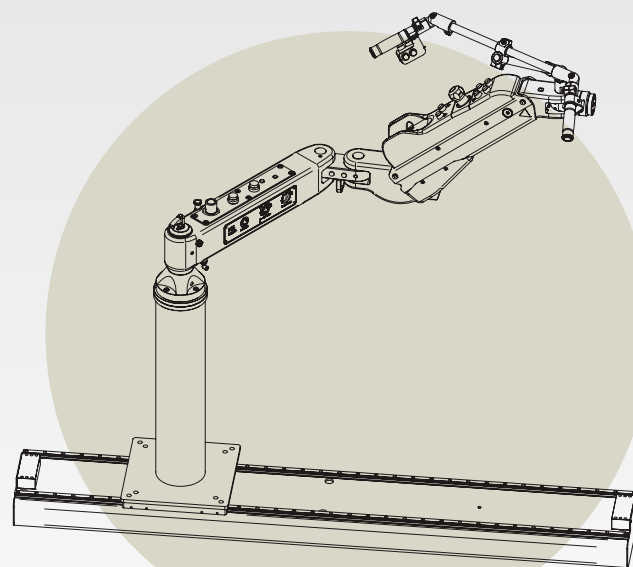
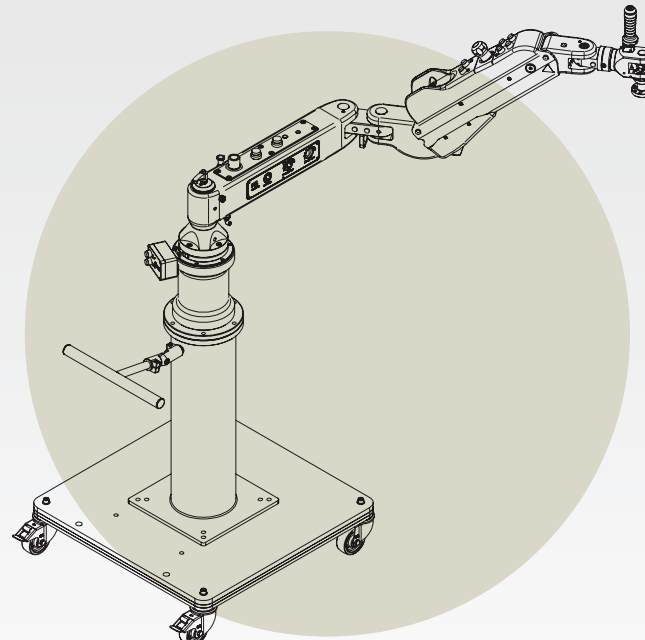


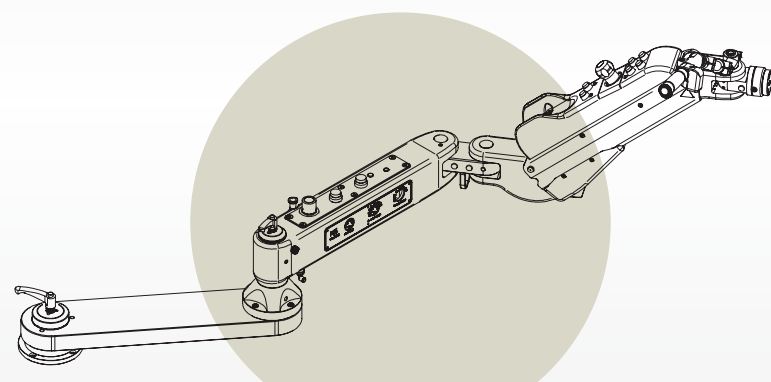
# ACCESSORIES



Floor Rail(2m)+ Column



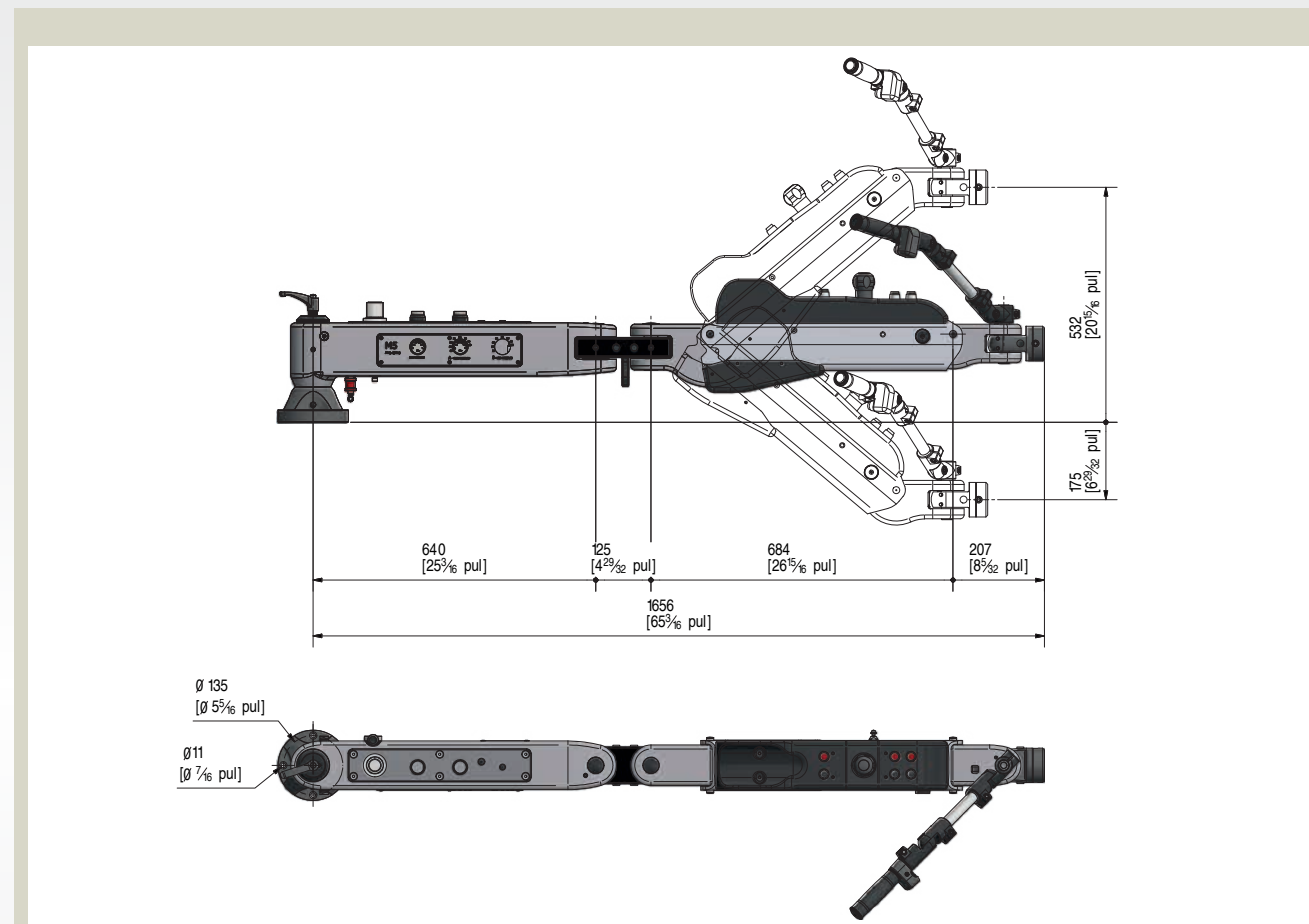
Trolley+Lifter PNR (500mm)



Radial Extension 600mm (or 1 meter)

	Extension 600	Extension 1000	Trolley	Fix column	Lifter 500 PNR	Floor rail	Lifter Column 2000
Extension 600			●	●	●	●	●
Extension 1000				●	●	●	
Trolley	●			●	●		●
Fix column	●	●	●		●	●	
Lifter 500 PNR	●		●	●		●	
Floor rail	●	●		●	●		●
Lifter Column 2000	●		●			●	

3arm Manipulator M5 offers a wide variety of configurations to move parts to and from conveyors, assembly lines, machine tools and much more up to 50 kg. Being the lightest manually controlled load manipulator device with various quick change gripping systems (jaws, vacuum, magnet, hook or custom), the operator can work in excellent ergonomic and safety conditions while gaining an increase in productivity.



## FEATURES

Pneumatic specifications		Dimensions and weight	
Supply fluid	Pressurized air	Height	339 mm (20.4")
Max. pressure of air supply	0.85 Mpa (8,5 bar)	Length	952 mm (59.1")
Max. working pressure	0.8 Mpa (8 bar)	Width	262 mm (4.5")
Maximum instantaneous consumption		Weight	39 Kg (66 lb)
	515 dM5/min		
Movements		Working conditions	
ZX Plane	± 40°	Temperature	+15 a +45°C
Working radius in XY plane	1670 mm (65.7")	Relative humidity	Max. 70%
Z1 Axis	360°	Environment	Indoor industrial settings
Z2 Axis	180°		
Z3 Axis	180°	Load capacity	
X Axis	360° / 4 x 90°	Maximum net load, range	0-50Kg (0-110 lb)
Vertical travel	707 mm (28")	Maximum net load	50 Kg (110 lb)
		Maximum gross load (load gripping system + load to be manipulated)	62 Kg (136 lb)

WE SERVICE  
WHAT WE  
MANUFACTURE

www.3arm.net



TECNOSPIRO  
MACHINE TOOL SL

Tecnospiro Machine Tool, S.L.

Tel. +34 93 8764359 Fax. +34 93 8767738  
Pl. Pla dels Vinyats, B  
08250 St.Joan de Vilatorrada Barcelona  
3ARM® www.3arm.net  
3arm@3arm.net



## Customer Commitment

To work hard everyday to be regarded in the metal working marketplace as a supplier that is friendly, helpful and easy to do business with - EVERYDAY, EVERYTIME.

To offer innovative high quality solutions at a competitive price.

To be receptive & proactive in identifying solutions for our customers needs & requirements.



© Tecnospiro Machine Tool S.L.  
Modifications reserved  
Edition: September 2014

# 3arm®



## MANIPULATOR M5 ERGONOMIC SOLUTIONS

www.3arm.net

# 3arm® MANIPULATOR M5

# M5 with BRAKES

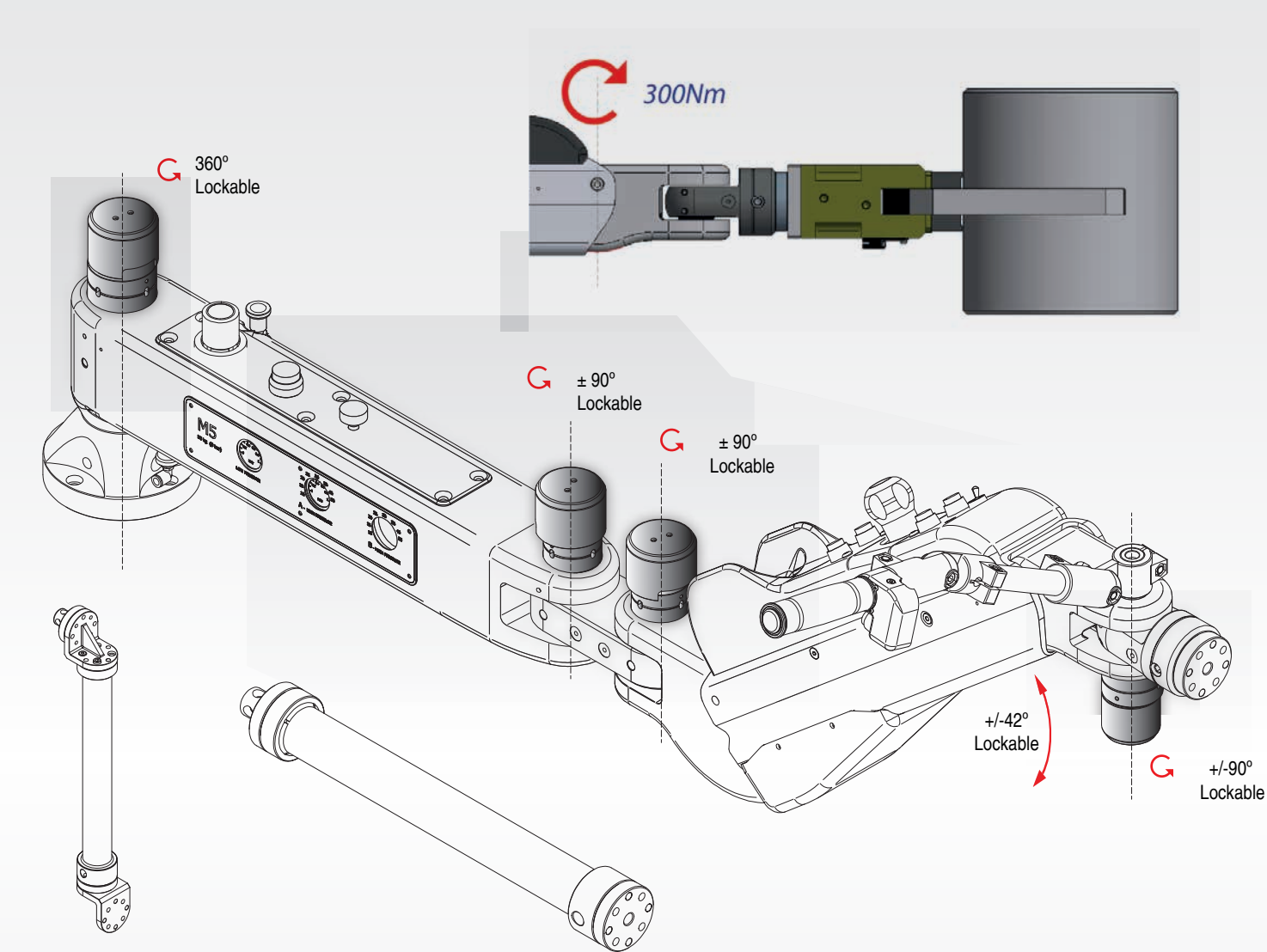
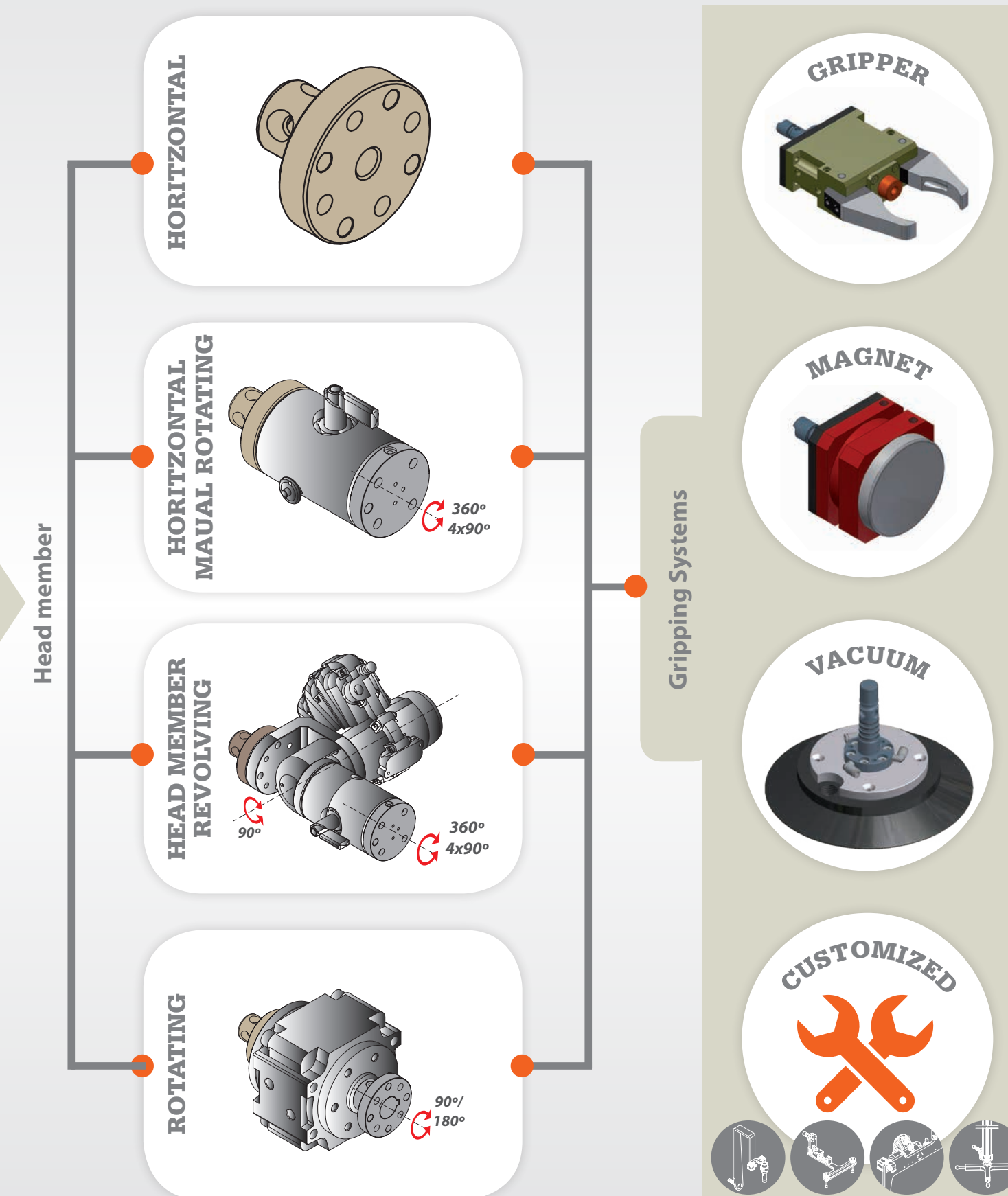
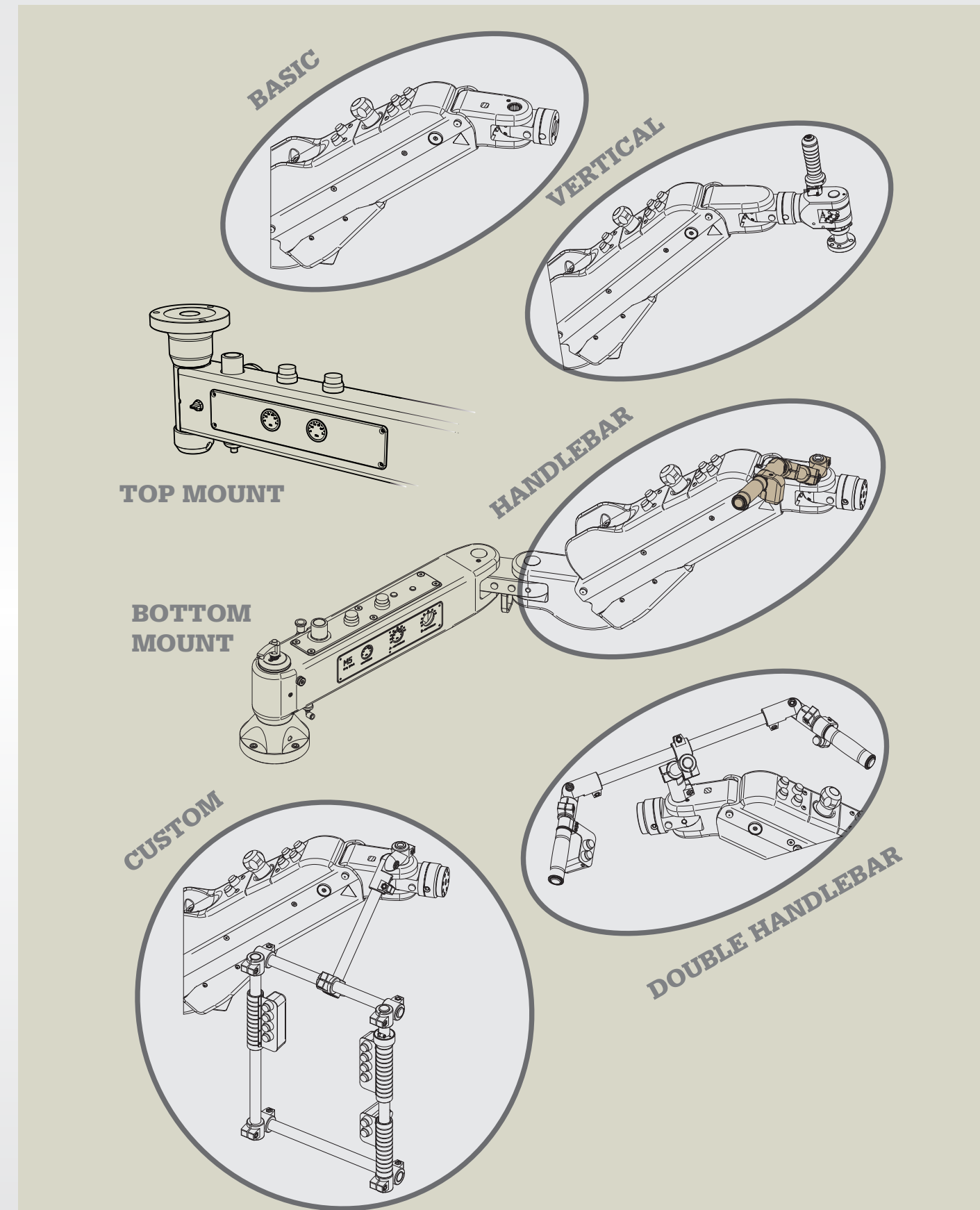


**3arm®** is a division of the Tecnospiro Machine Tool Company located in Sant Joan de Vilatorrada a small village about 40 miles west of Barcelona. They are a small family owned company that has been in business since the 60's. They have a state of the art manufacturing facility and a dynamic engineering staff that has been very innovative in design and inventing new products.

The 3arm ergonomic arm is the strongest most dependable arm available in the world market place today. It can be used for assistance in assembly, deburring, off line machining, and all types of lifting operations. Where ever operator fatigue is concern for employee safety, productivity, or quality 3arm has a solution.

**TECNOSP/RO**  
MACHINE TOOL SL

**SAFETY WARNING** 3ARM products are engineered and manufactured with safety in mind. The heat treat specifications exceed or meet all standards. All of the products manufactured by 3ARM are designed to perform without any undue safety issues when caution, common sense and proper safety practices are followed. The use of cutting tools and toolholders is safe when proper application and protection guidelines are observed. Even when these proper precautions are taken, it is possible that fragments of a cutting tool, cutting material, or holding device may be thrown at a very high rate of speed and have potential to cause severe bodily harm. It is imperative that general safety precautions and safety glasses be used at all times.



**Manipulator M5** can be equipped with pneumatic brakes to completely lock all the axis of the arm allowing to move and lock in position the part or product to manipulate.

### EXTENSIONS

Depending on the various needs of each application the arm can be supplied with a variety of extensions in order to increase the reach.