

Hydraulic torque wrenches



Torcflex

Premium Square Drive Range



Scan me to view the webpage!

The new Torcflex Hydraulic Torque wrench, the torque wrench you didn't know you needed.

The new Torcflex Torque Wrench line brings innovation to the hydraulic torque market, with increased safety at the heart of everything.

New features include: The **co-axial coupling**; this will drastically reduce set-up time and increase safety, a **retained reaction arm**; this will stop the drop hazard, and ensure the reaction arm stays on the tool, an **integral square drive**; which will prevent drop hazards and accidental loss of components and a **new adjustable support handle**; this is offered as standard with every wrench.



TF Series

Square drive hydraulic torque wrench

Atlas Copco TF Series of hydraulic wrench, offers high torque output, reliability and increased efficiency.

Monobloc aluminium housing

High strength, lightweight housing. Designed to give superior rigidity and strength resulting in excellent torque to weight ratio and durability. Housing has multiple docking points for support handle.

Co-Axial Hose and Coupling

The launch of the Co-Axial coupling and hose system is an innovative solution to increase productivity and reduce fatigue of the operator. Optional traditional twin swivel version available.

Retained Reaction Arm

Prevents drop hazard and provides right first time reaction arm positioning.

Reaction Pawl

Reduces operator intervention and increases tightening speed.

Ergonomic Support Handle

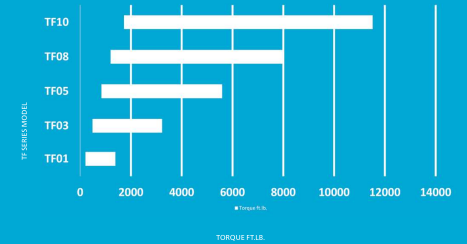
Multiple attachment points and quick rotational adjustment improves operator safety.

High strength steel boot

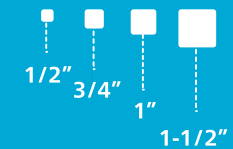
The reaction arm integral hazard warning stripes comes as standard.

Square Drive with Integrated Retainer

Single piece, quick change square drive prevents drop hazards and accidental loss of separate retainer.



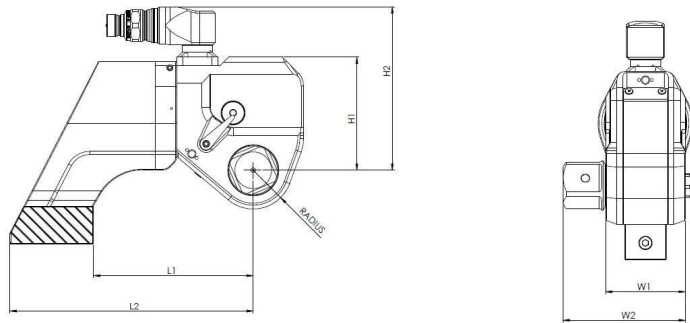
Square Drive Sizes



TF Series technical information



Model	Square Drive in	Torque				Weight		Ordering No Co-axial/Twin
		min	max	min	max	lb	kg	
TF01	3/4	209	1390	283	1885	6.06 / 6.44	2.75 / 2.92	8434 2406 05 / 8434 2410 15
TF03	1	485	3230	657	4379	12.06 / 12.43	5.47 / 5.64	8434 2409 95 / 8434 2409 94
TF05	1-1/2	839	5590	1137	7579	20.3 / 20.68	9.21 / 9.38	8434 2411 16 / 8434 2411 17
TF08	1-1/2	1200	8000	1627	10847	27.23 / 27.26	12.35 / 12.52	8434 2411 49 / 8434 2411 50
TF10	1-1/2	1728	11520	2343	15619	34.99 / 35.36	15.87 / 16.04	8434 2415 24 / 8434 2415 25

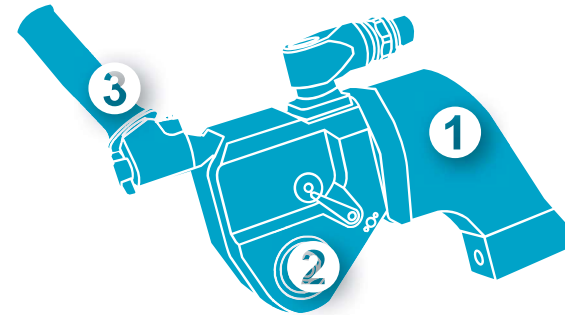


Model	Dimensions													
	L1		L2		H1		H2*		Radius		W1		W2	
	in	mm	in	mm	in	mm	in	mm	in	mm	in	mm	in	mm
TF01	3.98	101	6.18	157	3.03	77	4.97 / 4.79	126 / 122	0.97	24.7	1.97	50	2.87	73
TF03	4.96	126	8.03	204	3.82	97	5.82 / 5.64	148 / 143	1.29	32.8	2.64	67	3.7	94
TF05	6.34	161	9.69	246	4.51	114.5	6.51 / 6.32	165 / 161	1.54	39.1	3.15	80	4.84	123
TF08	6.73	171	10.91	277	4.96	126.1	6.97 / 6.78	177 / 172	1.76	44.6	3.58	91	5.12	130
TF10	8.19	208	12.32	313	5.87	149	7.87 / 7.68	200 / 195	3.76	95.6	3.94	100	5.51	140

Designs and specifications are subject to change without notice or obligation. Read all safety instructions in the manual before usage.

*Values separated by slash are for model variants: Co-axial / Twin

TF Series standard setup



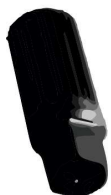
All TF wrenches are provided with the following equipment as standard:

1. Adjustable Retained Reaction Arm.
2. Square Drive with Integrated Retainer for use with impact sockets.
3. Fully Adjustable Ergonomic Support Handle.
4. Peli-case style packaging and custom foam.
5. All TF wrenches can be supplied with Co-Axial coupling or standard twinline.

Use high quality impact sockets

Hydraulic wrenches in TF Series offer extremely high torque output. Excellent power to weight ratio and range of 5 models covering torque from 283 – 15619 Nm (209 - 11520 Ft. lb.).

TF & RT Series accessories

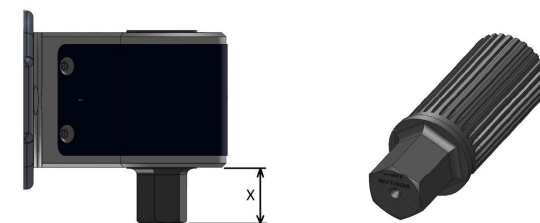


These are available in various sizes. Please contact our sales team for more information.

Ordering No	Size	Description
8434 2101 72	1/2"	RT0.5-HX-008
8434 2138 44	10mm	RT0.5-HX-10MM
8434 2138 47	12mm	RT0.5-HX-12MM
8434 2138 50	14mm	RT0.5-HX-14MM
8434 2138 53	16mm	RT0.5-HX-16MM
8434 2138 56	17mm	RT0.5-HX-17MM
8434 2138 59	18mm	RT0.5-HX-18MM
8434 2138 62	19mm	RT0.5-HX-19MM
8434 2138 65	20mm	RT0.5-HX-20MM
8434 2138 68	22mm	RT0.5-HX-22MM
8434 2101 71	24mm	RT0.5-HX-24MM
8434 2138 71	5/8"	RT01-HX-010
8434 2138 74	3/4"	RT01-HX-012
8434 2138 77	7/8"	RT01-HX-014
8434 2056 94	1"	RT01-HX-100
8434 2138 83	10mm	RT01-HX-10MM
8434 2138 86	14mm	RT01-HX-14MM
8434 2138 89	16mm	RT01-HX-16MM
8434 2056 96	17mm	RT01-HX-17MM
8434 2138 92	18mm	RT01-HX-18MM
8434 2056 98	19mm	RT01-HX-19MM
8434 2057 00	20mm	RT01-HX-20MM
8434 2057 02	22mm	RT01-HX-22MM
8434 2057 04	24mm	RT01-HX-24MM
8434 2138 98	25mm	RT01-HX-25MM
8434 2138 95	26mm	RT01-HX-26MM
8434 2057 06	27mm	RT01-HX-27MM
8434 2057 14	5/8"	RT03-HX-010
8434 2057 16	3/4"	RT03-HX-012
8434 2057 18	7/8"	RT03-HX-014
8434 2057 20	1"	RT03-HX-100
8434 2139 28	1 1/8"	RT03-HX-102
8434 2139 31	1 1/4"	RT03-HX-104
8434 2139 34	1 1/2"	RT03-HX-108
8434 2139 35	15mm	RT03-HX-15MM
8434 2139 36	16mm	RT03-HX-16MM
8434 2139 37	17mm	RT03-HX-17MM
8434 2057 22	19mm	RT03-HX-19MM
8434 2057 24	22mm	RT03-HX-22MM
8434 2057 26	24mm	RT03-HX-24MM
8434 2139 43	26mm	RT03-HX-26MM
8434 2057 28	27mm	RT03-HX-27MM
8434 2139 46	30mm	RT03-HX-30MM
8434 2057 30	32mm	RT03-HX-32MM
8434 2139 49	36mm	RT03-HX-36MM

Ordering No	Size	Description
8434 2139 55	38mm	RT03-HX-38MM
8434 2139 58	41mm	RT03-HX-41MM
8434 2139 61	46mm	RT03-HX-46MM
8434 2139 64	55mm	RT03-HX-55MM
8434 2140 04	1"	RT-05
8434 2140 13	1 1/4"	RT05-HX-104
8434 2139 97	19mm	RT05-HX-19MM
8434 2140 00	22mm	RT05-HX-22MM
8434 2140 03	24mm	RT05-HX-24MM
8434 2140 06	26mm	RT05-HX-26MM
8434 2057 36	27mm	RT05-HX-27MM
8434 2140 10	30mm	RT05-HX-30MM
8434 2140 12	32mm	RT05-HX-32MM
8434 2057 38	36mm	RT05-HX-36MM
8434 2057 39	38mm	RT05-HX-38
8434 2057 40	41mm	RT05-HX-41MM
8434 2057 42	46mm	RT05-HX-46MM
8434 2140 20	50mm	RT05-HX-50MM
8434 2140 21	55mm	RT05-HX-55MM
8434 2140 45	24mm	RT08-HX-24MM
8434 2140 48	27mm	RT08-HX-27MM
8434 2140 69	1"	RT10-HX-100
8434 2140 72	1 1/2"	RT10-HX-108
8434 2140 75	32mm	RT10-HX-32MM
8434 2057 46	36mm	RT10-HX-36MM
8434 2057 48	41mm	RT10-HX-41MM
8434 2057 50	46mm	RT10-HX-46MM
8434 2057 52	50mm	RT10-HX-50MM
8434 2140 81	55mm	RT10-HX-55MM

Hex drive dimensions



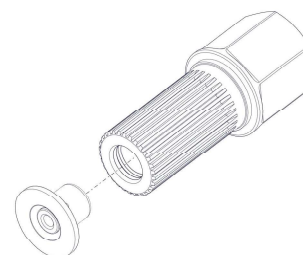
RT Hex Drives - Inch Series

Wrench Ref	Hex AF inch	X inch	Max Torque lbf.ft
RT-0.5	3/8	0.472	149
RT-0.5	7/16	0.512	236
RT-0.5	1/2	0.551	353
RT-0.5	5/8	0.591	689
RT-01	5/8	0.709	689
RT-01	3/4	0.827	1191
RT-01	7/8	0.945	1892
RT-01	1	1.063	2824
RT-03	3/4	0.906	1191
RT-03	7/8	1.024	1892
RT-03	1	1.142	2824
RT-03	1 1/4	1.299	5516
RT-05	1	1.142	2824
RT-05	1 1/4	1.299	5516
RT-05	1 1/2	1.417	9531
RT-05	1 3/4	1.614	15135
RT-08	1	1.142	2824
RT-08	1 1/4	1.299	5516
RT-08	1 1/2	1.417	9531
RT-08	1 3/4	1.614	15135
RT-10	1 1/4	1.339	5516
RT-10	1 1/2	1.457	9531
RT-10	1 3/4	1.654	15135
RT-10	2	1.850	22593

RT Hex Drives - Metric Series

Wrench Ref	Hex AF mm	X mm	Max Torque Nm
RT-0.5	10	12	234
RT-0.5	12	13	404
RT-0.5	14	14.5	641
RT-0.5	17	16	1147
RT-01	17	19	1147
RT-01	19	21	1602
RT-01	22	24.5	2486
RT-01	27	28	4596
RT-03	19	23	1602
RT-03	22	26.5	2486
RT-03	27	30	4596
RT-03	32	35	7652
RT-05	27	30	4596
RT-05	32	35	7652
RT-05	36	39	10895
RT-05	41	45	16094
RT-08	27	30	4596
RT-08	32	35	7652
RT-08	36	39	10895
RT-08	41	45	16094
RT-10	32	36	7652
RT-10	36	40	10895
RT-10	41	46	16094
RT-10	46	50	22730
RT-10	50	52	29190

Hex drives with retainer assembly



RT / TF Series	Retainer SAP No
RT01	4222212703
RT03	4222210294
RT05	4222210399
RT08	4222210504
RT10	4222210579

Retainer button to be purchased, if using with the TF too

Torcflex

Direct-Fit Range



Scan me to view the webpage!

The Torcflex Hydraulic Torque Wrench, best in class when it comes to safety and reliability.

The Torcflex low-profile hydraulic torque wrench is quick and easy to set-up and is perfect for those low clearance applications which are difficult to access.

The Torcflex wrench can be equipped with the co-axial or twin-line set-ups as standard. There are additional safety benefits and increased user efficiencies, with the retained link pin and support handle offered as standard.



TFX Series

Low profile hydraulic torque wrench

Atlas Copco TFX Series Low Profile Hydraulic Torque Wrenches eliminate problems with tight clearances, whilst increasing user efficiency.



Powerhead

Made from aircraft grade alloy for optimum strength to weight ratio. Can be used with legacy ratchet links.

Co-Axial Hose and Coupling

The launch of the Co-Axial coupling and hose system is an innovative solution to increase productivity and reduce fatigue of operator. Optional Traditional Twin Swivel version available.

Interchangeable Ratchet Link

Made from premium alloy steel for maximum durability. Interchangeable with RTX powerheads.

Reaction pawl

Reduces operator intervention and increases tightening speed.

Retained Link Pin

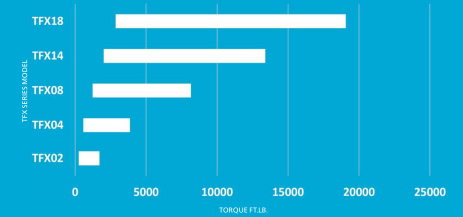
Patented design eliminates drop hazard and prevents accidental pin disengagement.

Thin Nose Radius

The use of premium grade steel allows the ratchet links to be optimised to allow fit onto low clearance applications.

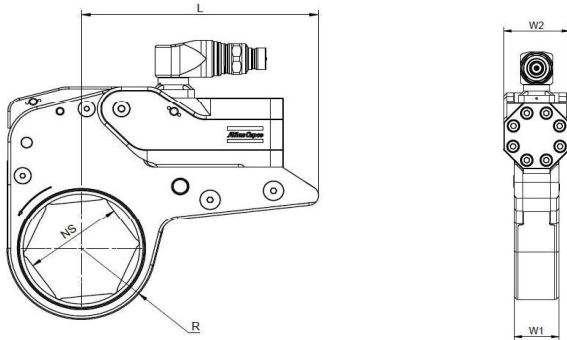
Support Handle

Each powerhead is supplied with an ergonomic support handle.



Ranges from 3/4" - 5 3/8"
15mm to 135mm AF

TFX Series technical information



Model	Dimensions					
	L		W1		W2	
	in	mm	in	mm	in	mm
TFX02	5.49	140	1.26	32	1.81	46
TFX04	7.5	191	1.68	43	2.40	61
TFX08	9.24	235	2.08	53	3.07	78
TFX14	11.23	285	2.48	63	3.62	92
TFX18	12.69	322	2.75	70	4.13	105

* TFX30 detail coming in Q3

Model	Ratchet Link Hex Size*		Torque Range		Weight (Powerhead Only)		Ordering No. Co-Axial/Twin
	in	mm	ft.lb.	Nm	lb	kg	
TFX02	3/4" - 2-9/16"	15-65	257-1710	348-2318	2.47 / 2.89	1.12 / 1.31	8434 2406 68 / 8434 2419 75
TFX04	3/4" - 3-3/16"	15-80	579-3855	784-5227	4.32 / 4.72	1.96 / 2.14	8434 2411 47 / 8434 2419 76
TFX08	1 1/8" - 3-7/8"	30-100	1223-8151	1658-11051	7.25 / 7.63	3.29 / 3.46	8434 2417 87 / 8434 2420 70
TFX14	1 1/4" - 4-5/8"	32-120	2010-13400	2725-18168	11.24 / 11.62	5.1 / 5.27	8434 2424 02 / 8434 2424 05
TFX18	2 3/16" - 5 3/8"	55-135	2861-19074	3879-25861	15.26 / 15.61	6.92 / 7.08	8434 2427 13 / 8434 2427 32

Designs and specifications are subject to change without notice or obligation. Read all safety instructions in the manual before usage.

Choosing your TFX series hydraulic torque wrench

1

TFX Powerhead

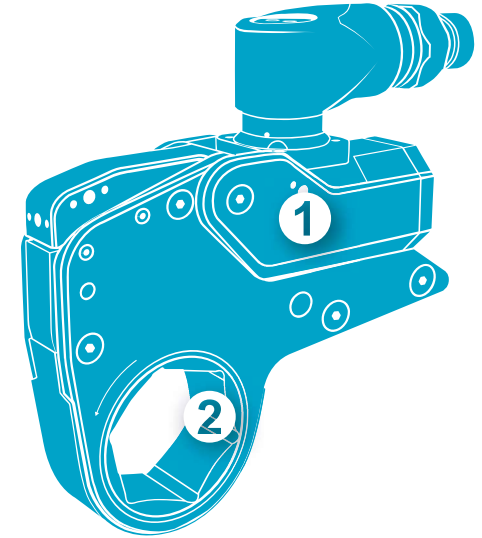
All TFX Powerheads are provided with the following equipment as standard:

1. Fully Adjustable Ergonomic Support Handle.
2. Retaining pin for legacy ratchet links.
3. Peli-style packaging and custom foam.
4. Do you want a Co-Axial connection or Twin-Line? All Powerheads can be supplied with both set-ups.

2

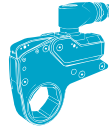
TL Direct Fit Ratchet Links

Choose the across flat hex link size needed for your application. Also supplied with a Peli-style packaging and custom foam.



Wide range of ratchet links designed to suit low clearance applications with a range of 5 power heads, torque outputs from 348 – 25861 Nm (257 – 19074 ft. lb).

Contact your local sales office for any special design or tool fit requirements.



TFX02 Ratchet link sizes

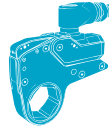
Nominal Hexagon A/F Inch Metric	Link Ref.	Nose Radius 'R' [in] (Decimal)	Nose Radius 'R' [mm] (Decimal)	Model	Ordering No.
15	#1	1.037	26.34	TL02-15MM	8434242653
17	#1	1.037	26.34	TL02-17MM	8434242505
3/4"	#1	1.037	26.34	TL02-012/19MM	8434242506
13/16"	#1	1.037	26.34	TL02-013	8434242507
7/8"	#1	1.037	26.34	TL02-014/22MM	8434242508
15/16"	#1	1.037	26.34	TL02-24MM	8434242509
1"	#1	1.037	26.34	TL02-100	8434242510
1-1/16"	#1	1.037	26.34	TL02-101/27MM	8434241763
1-1/8"	#1	1.037	26.34	TL02-102	8434242511
1-3/16"	#2	1.118	28.40	TL02-103/30MM	8434242512
1-1/4"	#2	1.118	28.40	TL02-104/32MM	8434241764
1-5/16"	#3	1.219	30.96	TL02-105	8434242513
	#3	1.219	30.96	TL02-34MM	8434242514
1-7/16"	#3	1.219	30.96	TL02-107/36MM	8434241765
1-1/2"	#4	1.329	33.76	TL02-108	8434242515
1-9/16"	#4	1.329	33.76	TL02-109	8434242516
1-5/8"	#4	1.329	33.76	TL02-110/41MM	8434241766
1-11/16"	#5	1.436	36.47	TL02-111	8434242517
1-3/4"	#5	1.436	36.47	TL02-112	8434242518
1-13/16"	#5	1.436	36.47	TL02-113/46MM	8434241767
1-7/8"	#6	1.548	39.32	TL02-114	8434242519
1-15/16"	#6	1.548	39.32	TL02-115	8434242520
	#6	1.548	39.32	TL02-50MM	8434241801
2"	#6	1.548	39.32	TL02-200	8434241768
2-1/16"	#7	1.657	42.09	TL02-201	8434242522
2-1/8"	#7	1.657	42.09	TL02-202	8434242523
2-3/16"	#7	1.657	42.09	TL02-203/55MM	8434241769
2-1/4"	#8	1.767	44.88	TL02-204	8434242524
	#8	1.767	44.88	TL02-58MM	8434242525
2-5/16"	#8	1.767	44.88	TL02-205	8434242526
2-3/8"	#8	1.767	44.88	TL02-206/60MM	8434241770
2-7/16"	#9	1.877	47.68	TL02-207	8434242527
2-1/2"	#9	1.877	47.68	TL02-208	8434242528
2-9/16"	#9	1.877	47.68	TL02-209/65MM	8434242451

Additional ratchet link sizes available upon request.

TFX04 Ratchet link sizes

Nominal Hexagon A/F Inch Metric	Link Ref.	Nose Radius 'R' [in] (Decimal)	Nose Radius 'R' [mm] (Decimal)	Model	PTD Ordering No.
15	#1	1.335	33.91	TL04-15MM	8434242529
17	#1	1.335	33.91	TL04-17MM	8434242530
3/4"	#1	1.335	33.91	TL04-012/19MM	8434242531
13/16"	#1	1.335	33.91	TL04-013	8434242532
7/8"	#1	1.335	33.91	TL04-014/22MM	8434242533
15/16"	#1	1.335	33.91	TL04-24MM	8434242534
1"	#1	1.335	33.91	TL04-100	8434242535
1-1/16"	#1	1.335	33.91	TL04-101/27MM	8434242536
1-1/8"	#1	1.335	33.909	TL02-102	8434242537
1-3/16"	#1	1.335	33.91	TL04-103/30MM	8434242538
1-1/4"	#1	1.335	33.91	TL04-104/32MM	8434242539
1-5/16"	#1	1.335	33.91	TL04-105	8434242540
1-7/16"	#1	1.335	33.91	TL04-107/36MM	8434241771
1-1/2"	#2	1.444	36.68	TL04-108	8434242541
1-9/16"	#2	1.444	36.68	TL04-109	8434242542
1-5/8"	#2	1.444	36.68	TL04-110/41MM	8434241772
1-11/16"	#3	1.552	39.42	TL04-111	8434242543
1-3/4"	#3	1.552	39.42	TL04-112	8434242544
1-13/16"	#3	1.552	39.42	TL04-113/46MM	8434241773
1-7/8"	#4	1.662	42.21	TL04-114	8434242545
1-15/16"	#4	1.662	42.21	TL04-115	8434242546
	#4	1.662	42.21	TL04-50MM	8434242072
2"	#4	1.662	42.21	TL04-200	8434241774
2-1/16"	#5	1.772	45.01	TL04-201	8434242547
2-1/8"	#5	1.772	45.01	TL04-202	8434242548
2-3/16"	#5	1.772	45.01	TL04-203/55MM	8434241775
2-1/4"	#6	1.882	47.80	TL04-204	8434242549
	#6	1.882	47.80	TL04-58MM	8434242550
2-5/16"	#6	1.882	47.80	TL04-205	8434242551
2-3/8"	#6	1.882	47.80	TL04-206/60MM	8434241776
2-7/16"	#7	1.991	50.57	TL04-207	8434242552
2-1/2"	#7	1.991	50.57	TL04-208	8434242553
2-9/16"	#7	1.991	50.57	TL04-209/65MM	8434241777
2-5/8"	#8	2.101	53.37	TL04-210	8434242554
2-3/4"	#8	2.101	53.37	TL04-212/70MM	8434241778
2-13/16"	#9	2.218	56.34	TL04-213	8434242555
2-15/16"	#9	2.218	56.34	TL04-215/75MM	8434241779
3"	#10	2.331	59.21	TL04-300	8434242556
	#10	2.331	59.21	TL04-77MM	8434242557
3-1/16"	#10	2.331	59.21	TL04-301	8434242558
3-1/8"	#10	2.331	59.21	TL04-302/80MM	8434241780
	#10	2.331	59.21	TL04-303	8434242559

Additional ratchet link sizes available upon request.



TFX08 Ratchet link sizes

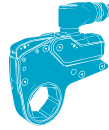
Nominal Hexagon A/F Inch Metric	Link Ref.	Nose Radius 'R' [in] (Decimal)	Nose Radius 'R' [mm] (Decimal)	Model	Ordering No.
1-1/8"	#1	1.777	45.14	TL08-102	8434242560
1-1/2"	#1	1.777	45.14	TL08-103/30MM	8434242561
1-1/4"	#2	1.777	45.14	TL08-104/32MM	8434242562
1-5/16"	#1	1.777	45.14	TL08-105	8434242563
1-7/16"	#1	1.777	45.14	TL08-107/36MM	8434242564
1-1/2"	#1	1.777	45.14	TL08-108	8434242565
1-9/16"	#1	1.777	45.14	TL08-109	8434242566
1-5/8"	#1	1.777	45.14	TL08-110/41MM	8434242567
1-11/16"	#1	1.777	45.14	TL08-111	8434242568
1-3/4"	#1	1.777	45.14	TL08-112	8434242569
1-13/16"	#1	1.777	45.14	TL08-113/46MM	8434242570
1-7/8"	#1	1.777	45.14	TL08-114	8434242571
1-15/16"	#1	1.777	45.14	TL08-115	8434242572
2"	#1	1.777	45.14	TL08-200	8434242573
2-1/16"	#2	1.886	47.90	TL08-201	8434242574
2-1/8"	#2	1.886	47.90	TL08-202	8434242575
2-3/16"	#2	1.886	47.90	TL08-203/55MM	8434242576
2-1/4"	#3	1.995	50.67	TL08-204	8434242577
2-5/16"	#3	1.995	50.67	TL08-205	8434242578
2-3/8"	#3	1.995	50.67	TL08-206/60MM	8434242579
2-7/16"	#4	2.105	53.47	TL08-207	8434242580
2-1/2"	#4	2.105	53.47	TL08-208	8434242581
2-9/16"	#4	2.105	53.47	TL08-209/65MM	8434242582
2-5/8"	#5	2.215	56.26	TL08-210	8434242583
2-3/4"	#5	2.215	56.26	TL08-212/70MM	8434242584
2-13/16"	#6	2.332	59.23	TL08-213	8434242585
2-15/16"	#6	2.332	59.23	TL08-215/75MM	8434242586
3"	#7	2.445	62.10	TL08-300	8434242587
3-1/16"	#7	2.445	62.10	TL08-77MM	8434242588
3-1/8"	#7	2.445	62.10	TL08-78MM	8434242589
3-1/8"	#7	2.445	62.10	TL08-302/80MM	8434242590
3-1/8"	#8	2.567	65.20	TL08-85MM	8434242591
3-3/8"	#8	2.567	65.20	TL08-306	8434242592
3-1/2"	#9	2.673	67.89	TL08-308	8434242593
3-5/8"	#9	2.673	67.89	TL08-90MM	8434242594
3-5/8"	#10	2.797	71.04	TL08-310	8434242595
3-3/4"	#10	2.797	71.04	TL08-312/95MM	8434242596
3-7/8"	#11	2.900	73.66	TL08-314	8434242597
3-7/8"	#11	2.900	73.66	TL08-100MM	8434242598

Additional ratchet link sizes available upon request.

TFX14 Ratchet link sizes

Nominal Hexagon A/F Inch Metric	Link Ref.	Nose Radius 'R' [in] (Decimal)	Nose Radius 'R' [mm] (Decimal)	Model	Ordering No.
1-1/4"	#1	2.331	59.21	TL14-104/32MM	8434242587
1-1/2"	#1	2.331	59.21	TL14-108	8434242588
1-9/16"	#1	2.331	59.21	TL14-109	8434242589
1-5/8"	#1	2.331	59.21	TL14-110/41MM	8434242590
1-11/16"	#1	2.331	59.21	TL14-111	8434242591
1-3/4"	#1	2.331	59.21	TL14-112	8434242592
1-13/16"	#1	2.331	59.21	TL14-113/46MM	8434242593
1-7/8"	#1	2.331	59.21	TL14-114	8434242594
2"	#1	2.331	59.21	TL14-50MM	8434242595
2-1/16"	#1	2.331	59.21	TL14-200	8434242596
2-3/16"	#1	2.331	59.21	TL14-203/55MM	8434242597
2-1/4"	#1	2.331	59.21	TL14-204	8434242598
2-3/8"	#1	2.331	59.21	TL14-206/60MM	8434242599
2-1/2"	#1	2.331	59.21	TL14-208	8434242600
2-9/16"	#1	2.331	59.21	TL14-209/65MM	8434242601
2-5/8"	#1	2.331	59.21	TL14-210	8434242602
2-3/4"	#1	2.331	59.21	TL14-212/70MM	8434242603
2-13/16"	#2	2.447	62.15	TL14-213	8434242604
2-15/16"	#2	2.447	62.15	TL14-215/75MM	8434242605
3"	#3	2.561	65.05	TL14-300	8434242606
3-1/16"	#3	2.561	65.05	TL14-77MM	8434242607
3-1/8"	#3	2.561	65.05	TL14-301	8434242608
3-1/8"	#3	2.561	65.05	TL14-302/80MM	8434242609
3-1/8"	#4	2.682	68.12	TL14-303	8434242610
3-3/8"	#4	2.682	68.12	TL14-85MM	8434242611
3-1/2"	#5	2.788	70.82	TL14-306	8434242612
3-5/8"	#5	2.788	70.82	TL14-308	8434242613
3-11/16"	#6	2.913	73.99	TL14-90MM	8434242614
3-11/16"	#6	2.913	73.99	TL14-310	8434242615
3-11/16"	#6	2.913	73.99	TL14-311	8434242616
3-3/4"	#7	3.015	76.58	TL14-312/95MM	8434242617
3-7/8"	#7	3.015	76.58	TL14-314	8434242618
3-7/8"	#7	3.015	76.58	TL14-100MM	8434242619
4-1/16"	#8	3.132	79.55	TL14-401	8434242620
4-1/8"	#8	3.132	79.55	TL14-402	8434242621
4-1/8"	#8	3.132	79.55	TL14-105MM	8434242622
4-3/16"	#9	3.246	82.45	TL14-403	8434242623
4-1/4"	#9	3.246	82.45	TL14-404	8434242624
4-1/4"	#9	3.246	82.45	TL14-110MM	8434242625
4-1/2"	#10	3.473	88.20	TL14-408	8434242626
4-5/8"	#10	3.473	88.20	TL14-115MM	8434242627
4-5/8"	#10	3.473	88.20	TL14-410	8434242628
4-5/8"	#10	3.473	88.20	TL14-120MM	8434242629

Additional ratchet link sizes available upon request.



TFX18 Ratchet link sizes

Nominal Hexagon A/F Inch	Metric	Link Ref.	Nose Radius 'R' [in] (Decimal)	Nose Radius 'R' [mm] (Decimal)	Model	Ordering No.
2-3/16"	55	#1	2.572	65.32	TL18-203/55MM	8434242615
2-1/4"		#1	2.572	65.32	TL-204	8434242616
2-3/8"	60	#1	2.572	65.32	TL18-206/60MM	8434242617
2-1/2"		#1	2.572	65.32	TL18-208	8434242618
2-9/16"	65	#1	2.572	65.32	TL18-209/65MM	8434242619
2-5/8"		#1	2.572	65.32	TL18-210	8434242620
2-3/4"	70	#1	2.572	65.32	TL18-212/70MM	8434242621
2-13/16"		#1	2.572	65.32	TL18-213	8434242621
2-15/16"	75	#1	2.572	65.32	TL18-215/75MM	8434242622
3"		#1	2.572	65.32	TL18-300	8434242622
	77	#2	2.685	68.20	TL18-77MM	8434242623
3-1/16"	78	#2	2.685	68.20	TL18-301	8434242624
3-1/8"	80	#2	2.685	68.20	TL18-302/80MM	8434242625
3-3/16"		#3	2.913	73.98	TL18-303	8434242625
	85	#3	2.913	73.98	TL18-85MM	8434242626
3-3/8"		#3	2.913	73.98	TL18-306	8434242626
3-1/2"		#3	2.913	73.98	TL18-308	8434242626
	90	#3	2.913	73.98	TL18-90MM	8434242626
3-5/8"		#4	3.140	79.74	TL18-310	8434242627
3-11/16"		#4	3.140	79.74	TL18-311	8434242628
3-3/4"	95	#4	3.140	79.74	TL18-312/95MM	8434242627
3-7/8"		#4	3.140	79.74	TL18-314	8434242628
	100	#4	3.140	79.74	TL18-100MM	8434242628
4-1/16"		#5	3.371	85.61	TL18-401	8434242629
4-1/8"		#5	3.371	85.61	TL18-402	8434242630
	105	#5	3.371	85.61	TL18-105MM	8434242630
4-3/16"		#5	3.371	85.61	TL18-403	8434242631
4-1/4"		#5	3.371	85.61	TL18-404	8434242632
4-1/2"		#6	3.598	91.39	TL18-408	8434242632
	115	#6	3.598	91.39	TL18-115MM	8434242632
4-5/8"		#6	3.598	91.39	TL18-410	8434242633
	120	#7	3.816	96.91	TL18-120MM	8434242633
5"		#7	3.816	96.91	TL18-500	8434242633
	130	#8	3.985	101.22	TL18-130MM	8434242633
	135	#8	3.985	101.22	TL18-135MM	8434242633
5-3/8"		#8	3.985	101.22	TL18-506	8434242633

Additional ratchet link sizes available upon request.

TFX30 Ratchet link sizes

Nominal Hexagon A/F Inch	Metric	Link Ref.	Nose Radius 'R' [in] (Decimal)	Nose Radius 'R' [mm] (Decimal)	Model	Ordering No.
2-9/16"	65	#1	3.029	76.94	TL30-209/65MM	8434242633
2-5/8"		#1	3.029	76.94	TL30-210	8434242634
2-3/4"	70	#1	3.029	76.94	TL30-212/70MM	8434242635
2-13/16"		#1	3.029	76.94	TL30-213	8434242636
2-15/16"	75	#1	3.029	76.94	TL30-215/75MM	8434242637
3"		#1	3.029	76.94	TL30-300	8434242638
	77	#1	3.029	76.94	TL30-77MM	8434242639
3-1/16"	78	#1	3.029	76.94	TL30-301	8434242640
3-1/8"	80	#1	3.029	76.94	TL30-302/80MM	8434242641
3-3/16"		#1	3.029	3.029	TL30-303	8434242642
	85	#1	3.029	76.94	TL30-85MM	8434242643
3-3/8"		#1	3.029	76.94	TL30-306	8434242643
3-1/2"		#1	3.029	76.94	TL30-308	8434242643
	90	#2	3.256	82.70	TL30-90MM	8434242644
3-5/8"		#2	3.256	82.70	TL30-310	8434242644
3-11/16"		#2	3.256	82.70	TL30-311	8434242645
3-3/4"	95	#2	3.256	82.70	TL30-312/95MM	8434242645
3-7/8"		#2	3.256	82.70	TL30-314	8434242645
	100	#2	3.256	82.70	TL30-100MM	8434242646
4-1/16"		#3	3.487	88.57	TL30-401	8434242646
4-1/8"		#3	3.487	88.57	TL30-402	8434242647
	105	#3	3.487	88.57	TL30-105MM	8434242647
4-3/16"		#3	3.487	88.57	TL30-403	8434242648
4-1/4"		#3	3.487	88.57	TL30-404	8434242648
	110	#3	3.487	88.57	TL30-110MM	8434242648
4-1/2"		#4	3.713	94.31	TL30-408	8434242649
	115	#4	3.713	94.31	TL30-115MM	8434242649
4-5/8"		#4	3.713	94.31	TL30-410	8434242649
	120	#5	3.941	100.10	TL30-120MM	8434242649
5"		#5	3.941	100.10	TL30-500	8434242649
	130	#6	4.101	104.17	TL30-130MM	8434242649
	135	#6	4.101	104.17	TL30-135MM	8434242649
5-3/8"		#6	4.101	104.17	TL30-506	8434242649
	140	#7	4.320	109.73	TL30-140MM	8434242650
	145	#7	4.320	109.73	TL30-145MM	8434242650
5-3/4"		#7	4.320	109.73	TL30-512	8434242650
	150	#8	4.537	115.24	TL30-150MM	8434242651
5-15/16"		#8	4.537	115.24	TL30-515	8434242652
6-1/8"	155	#8	4.537	115.24	TL30-602/155MM	8434242652

Additional ratchet link sizes available upon request.